

Avocent® LongView™ 4000 Series

High Performance KVM Extender Systems



Quick Installation Guide

The Avocent LongView high performance extender system provides the fastest way to extend high quality DVI video, digital audio and USB data across your network. Transmitters and receivers can be configured in a direct connect or a patch panel configuration to best meet the needs of your system.

Configuration options are illustrated on the right, and general system information is provided in the following section. Proceed to the next page for installation instructions.

Supported Hardware

Avocent LongView 4010 and 4020 extenders support most standard speakers/headsets, microphones, USB keyboards and USB mice. DVI monitors are also supported, and the extender system transfers video rates up to 165 Megapixels per second. Avocent LongView 4020 extenders also provide an additional video channel and dual stereo audio.

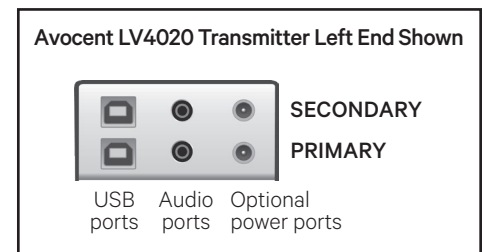
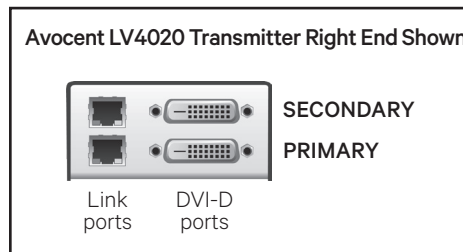
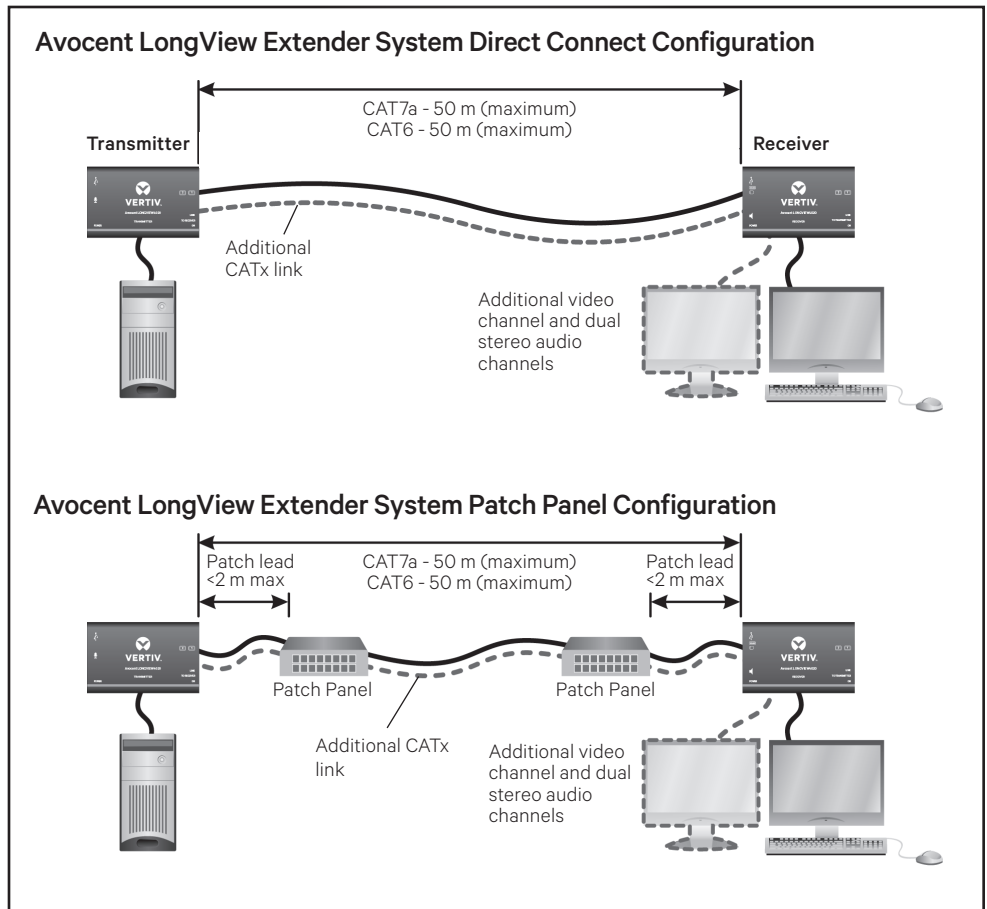
Cable Extension Rules

- A maximum extension distance of 50 meters is supported with single, uninterrupted runs of CAT7a patch or CAT6 bulk/trunk (not patch) cables at full resolution.
- Cable run rules: Overall cable runs must be reduced by 5 meters for each additional cable coupling. Run specifications may be increased by 10 meters when using resolutions of 1280 x 1024 or lower.
- Patch cables: All patch cables must be as short as possible and no longer than 2 meters.

Installation

This section provides steps and figures for system installation. The figures display cable connections that are numbered to indicate to which step they belong. Instructions apply for both modules unless referenced specifically.

NOTE: Prior to completing the following steps, ensure your computer is turned off.



1. Connecting transmitter video

For the Avocent LongView 4010 extender, connect a single-link digital cable from the computer to the DVI-D port on the extender.

For the Avocent LongView 4020 extender, connect the digital video link cable from the primary video port on the computer to the bottom (primary) DVI-D port on the extender. Then, connect the video cable from the secondary video port on the computer to the top

(secondary) DVI-D port on the extender.

2. Connecting other transmitter peripherals

The transmitter is designed to be powered via a USB connection from the computer. However, if this is not possible, each USB port on the left end of the transmitter can be used for additional USB devices. Using a cable no longer than 3 meters, plug the USB connector into the designated transmitter

port and the other end into a USB computer port.

NOTE: On Avocent LongView 4020 extenders, the bottom (primary) USB port should connect to the first USB computer port. The top (secondary) extender USB port is for a second USB computer port.

Avocent LongView 4020 extenders also provide optional bottom (primary) and top (secondary) audio connections using 3.5 mm audio cables.

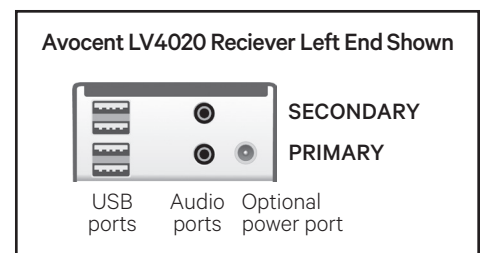
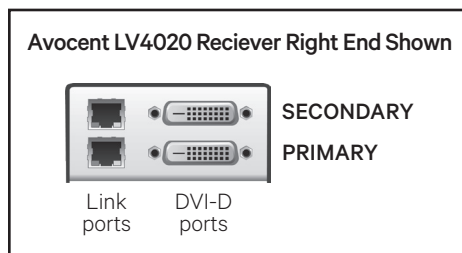
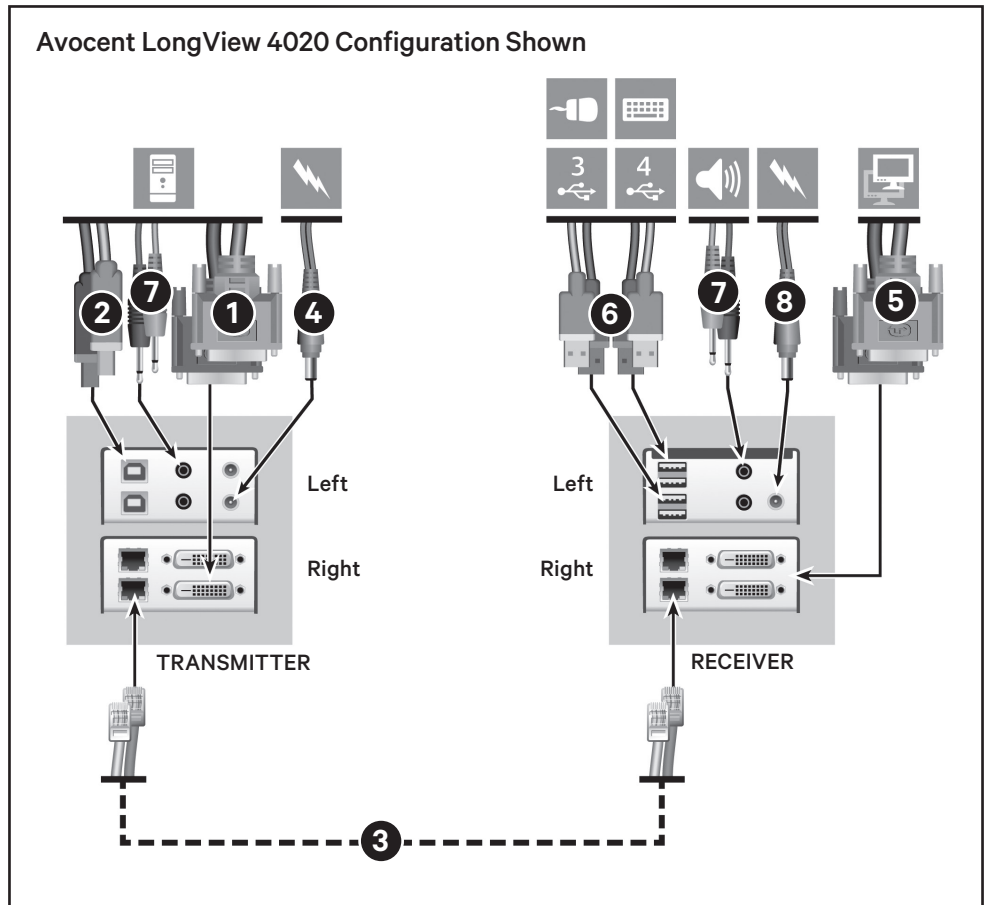
3. Connecting the transmitter to the receiver

For a direct connect configuration, insert one end of a CAT cable into the TO RECEIVER port on the right end of the transmitter and the other end into the TO TRANSMITTER port on the receiver. For Avocent LongView 4020 extenders, the initial connection should be made between the bottom extender ports. If desired, a secondary connection can be made between the top extender ports.

For a patch panel configuration, insert one end of the CAT cable into the TO RECEIVER port on the transmitter and the other end into one of the ports on the patch panel. Repeat this process with an additional CAT cable from the TO TRANSMITTER port on the receiver. For Avocent LongView 4020 extenders, the initial connection should be made from the bottom extender ports. If desired, a secondary connection can be made between the top extender ports.

4. Connecting transmitter power

If the transmitter cannot be powered via the computer, assemble the power adaptor and the power cord. Insert one end of the power cord into the transmitter (Avocent LV4020 extender bottom POWER port) and plug the other end into an appropriate power source.



NOTE: Squid cables and power splitters are not allowed. To connect an optional secondary power source, use the top POWER port on the Avocent LV 4020 transmitter, if necessary.

5. Connecting receiver video

For the Avocent LongView 4010 receiver, connect a single-link digital cable from your computer to the DVI-D port on the receiver.

For the Avocent LongView 4020 receiver, connect the digital video link cable from the primary video

port on the computer to the bottom (primary) DVI-D port on the receiver. Then, connect the video cable from the secondary video port on the computer to the top (secondary) DVI-D port on the receiver.

6. Connecting the keyboard and mouse

For the Avocent LongView 4010 extender system, plug one end of the keyboard and mouse connectors into the receiver (either USB paired port) and plug the

other end into a USB computer port. For the Avocent LongView 4020 receiver, ensure you plug the keyboard and mouse in to the bottom (primary) receiver USB ports. Additional USB devices may be plugged in to the top (secondary) ports. The paired USB ports on the receiver are fed separately by the corresponding primary and secondary USB connections on the transmitter. Mismatched connections will result in non-functioning USB devices from the receiver.

NOTE: *The total current allowed to be drawn from the USB ports is 1.2A. If more power is required for USB devices, use a powered USB hub.*

7. Connecting audio

For stereo speakers and microphones, attach the cables to the appropriately labeled receiver extender ports. Avocent LongView 4020 extenders provide optional bottom (primary) and top (secondary) audio connections using 3.5 mm audio cables.

8. Connecting receiver power

Assemble the power adaptor and the power cord. Insert one end of the power cord into the POWER port of the receiver and plug the other end into an appropriate power source.

9. Powering the extender system

Turn on the monitor and the receiver. If the transmitter is not powered by the computer, turn it on next. Then, turn on the computer.

There are two LEDs on the right end of each extender to confirm power status and provide feedback. A green LED should be lit on both extenders to confirm that power is on. On the transmitters, a solid yellow LED indicates that a valid DVI video input signal is being received from the computer. This LED will not light up if a CAT link cable is disconnected. For the receivers, a solid yellow LED indicates that a valid DVI video input signal is being received from the transmitter. This LED will flash twice per second when no valid video signal is being received.

NOTE: *For Avocent LongView 4020 extenders, these linking ports are independent. Failure of one link does not affect the video or USB status of the other link.*



To contact Vertiv Technical Support: visit www.Vertiv.com

© 2024 Vertiv Group Corp. All rights reserved. Vertiv™ and the Vertiv logo are trademarks or registered trademarks of Vertiv Group Corp. All other names and logos referred to are trade names, trademarks or registered trademarks of their respective owners. While every precaution has been taken to ensure accuracy and completeness here, Vertiv Group Corp. assumes no responsibility, and disclaims all liability, for damages resulting from use of this information or for any errors or omissions.

